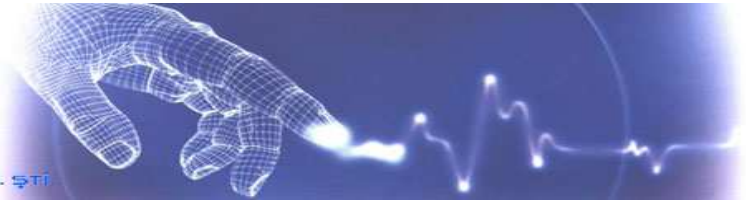




İMAJ TEKNİK
ELEKTRİK ELEKTRONİK MALZ. SAN. VE TİC. LTD. ŞTİ



INSTANTANEOUS AND FUNCTION RELAYS

Impulse relays 2 contacts / 1846



TEC

1846

- ▶ rear wiring socket with clips ER/GE 2.8
- ▶ rear wiring socket / PCB mounting ER/GE
- ▶ front wiring socket with clips EVC/GE
- ▶ front wiring socket with clips 9876
- ▶ front wiring socket / screw terminals EVB/GE
- ▶ front wiring socket / screw terminals 9877

▶ print the card

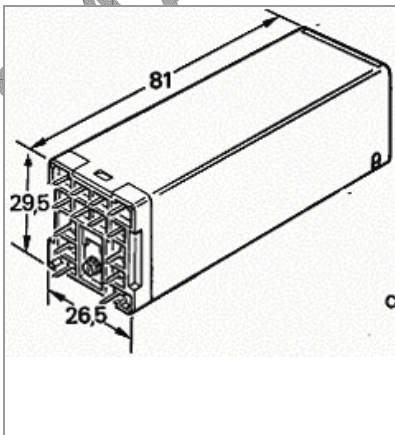
▶ select this product

DESCRIPTION

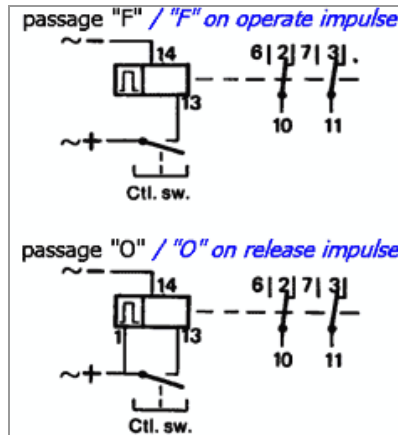
Impulse relay - 2 CO contacts - 5 A.

Pluggable on the following sockets : 9876, 9877, EVB/GE, EVC/GE, ER/GE 2.8 et ER/GE.

Dimensions



Connection



OPERATION PRINCIPLE

Function selector switch on front face ("F" on closing - "O" on opening).

Fixed impulse time between 0.3 and 0.45 seconds.

Recycling time : 500 ms

Repeatability : + or - 1%

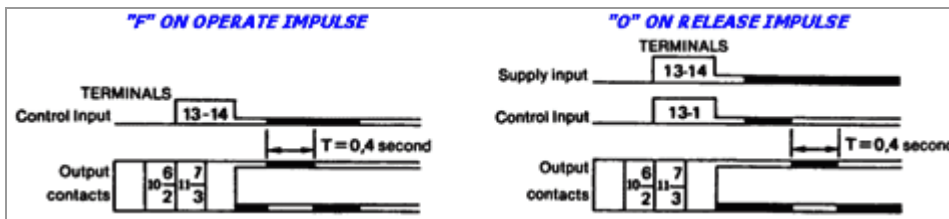
Time accuracy (according to cumulated variation factors) : + or - 10% T.

Visualisation of the output state by LED.

Protection of the selections by closable front cover.

See the operation diagram hereafter.

PLAN



TECHNICAL FEATURES

Function	impulse
Presentation	under cover
Connection	on front or rear wiring socket
Operating temperature	- 10 to + 55°C
Storage temperature	- 40°C to + 80°C
Dielectric strength	2,5 KV - 50 Hz - 1 mn
Weight	100 g.

COIL DATA

	Direct current	Alternative current
Min. nominal voltage DC	24 V	240 V
Min. nominal voltage AC	125 V	240 V
Operating range	-20/+10% of nominal voltage	

CONTACTS

Number of contacts	2
Contacts material	silver alloy with gold flash
Max. load current	5 A per contact
Low power switching	100 mVA with min. voltage 1 V or I min 1 mA
Short-circuit load	100 A - 30 ms

VERSIONS

Reinforced climatic protection and withdrawal are proposed as options.

For any complementary information regarding mounting and withdrawal, please refer to the technical support pages of this site or contact us.

 İmaj Teknik Elektrik Elektronik San. ve Tic. Ltd. Şti.
EMEYEMEZ MAH.TUTSAK SOK. NO: 16/13-14-15
KARAKOY/İSTANBUL
TURKEY

Telefon : +90 212 235 9535 / 36 www.ijajteknik.com
Fax : +90 212 235 9537 www.ijajteknik.com.tr